

# Transformers FOR Gas Burners



	0-100.000 kCal.	100.000 - 1.000.000 kCal.	> 1.000.000 kCal
--	-----------------	------------------------------	---------------------

## SERIE E



<b>TRE820P</b>	8000V 230VA	1x8kV 20mA ED.20% su 3'	<b>TRE820P</b>	8000V 230VA	1x8kV 20mA ED.20% su 3'
<b>TRE820PISO</b>	8000V ISOLATO 230VA	1x8kV 20mA ED.20% su 3'	<b>TRE820PISO</b>	8000V ISOLATO 230VA	1x8kV 20mA ED.20% su 3'

	0-100.000 kCal.	100.000 - 1.000.000 kCal.	> 1.000.000 kCal
--	-----------------	------------------------------	---------------------

## SERIE S



<b>TRS610PC</b>	6000V 92VA	1x6kV 10mA CONTINUO	<b>TRS610PC</b>	6000V 92VA	1x6kV 10mA CONTINUO	<b>TRS818PC</b>	8000V 220VA	1x8kV 18mA CONTINUO
			<b>TRS818PC</b>	8000V 220VA	1x8kV 18mA CONTINUO	<b>TRS820P</b>	8000V 220VA	1x8kV 20mA ED.25% su 4'
			<b>TRS820P</b>	8000V 220VA	1x8kV 20mA ED. 25% su 4'	<b>TRS820PISO</b>	8000V ISOLATO 220VA	1x8kV 20mA ED.25% su 4'
			<b>TRS820PISO</b>	8000V ISOLATO 220VA	1x8kV 20mA ED.25% su 4'	<b>TRS830P</b>	8000V 352VA	1x8kV 30mA ED.25% su 4'
			<b>TRS830P</b>	8000V 352VA	1x8kV 30mA ED.25% su 4'			

	0-100.000 kCal.	100.000 - 1.000.000 kCal.	> 1.000.000 kCal
--	-----------------	------------------------------	---------------------

## SERIE G

			<b>TRG820PC</b>	8000V	1x8kV 20mA
				220VA	CONTINUO



**TRG835P** 8000V 1x8kV 35mA

308VA ED.25%  
su 4'

**TRG1020PC** 10000V 1x10kV  
20mA

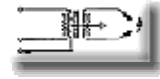
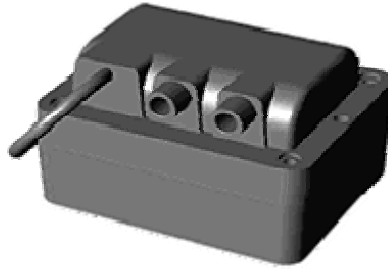
242VA CONTINUO

**TRG1035P** 10000V 1x10kV  
35mA

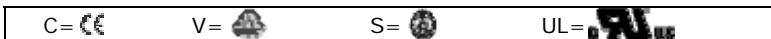
460VA ED.25%  
su 4'

## Transformer - series G grounded center

The outputs can be constructed according to the application. The best insulation is ensured in extremely difficult and special conditions. This is produced, like the whole range, with input voltages between 100 and 400V, in accordance with international standards and with customers' requirements. The main intermittent and continuous models are technically approved - in accordance with VDE and SEV regulations - and can include accessories for Electromagnetic Compatibility, as tested in our laboratory.



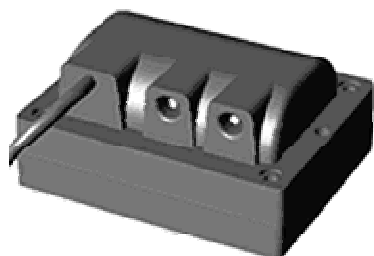
IN	OUT	VIEWS	DATA	>> Grounded pole			
Type	Supply Voltage V(50 Hz)	Primary Current A (50 Hz)	Power VA	Secondary Voltage kV	Secondary Current mA	Secondary Peak Voltage kV	Duty ED% min.
TRG1015C	220-230	0,85	187	2x5	15	14	DB Continuo
TRG1015C	380/400	0,5	200	2x5	15	14	DB Continuo
TRG1020C	220-230	1	230	2x5	20	14	DB Continuo
TRG1020C	380/400	0,6	240	2x5	20	14	DB Continuo
TRG1035	220-230	2,1	483	2x5	35	14	AB 25% 4min 4 min.
TRG1035 US	120 60Hz	3,4	408	2x5	35	14	AB 25% 4min 4 min.
TRG1225	200 50-60Hz	1,4	280	2x6	25	17	AB 25% 4min 4 min.
TRG1230	220-230	2,2	506	2x6	30	17	AB 25% 4min 4 min.



L= Turn on a neon-lamp of 11-15 W (primary)

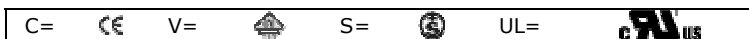
Standard Value Table. On customer's specifications, we can provide for special primary voltages, either 50Hz or 60 Hz.

## Transformer - serie S grounded center



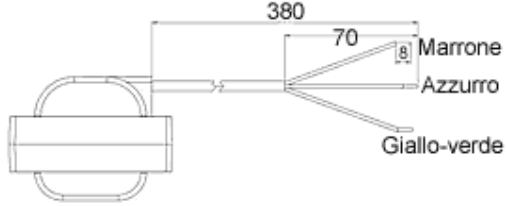



The outputs can be constructed according to the application. The best insulation is ensured in extremely difficult and special conditions. This is produced, like the whole range, with input voltages between 100 and 400V, in accordance with international standards and with customers' requirements. The main intermittent and continuous models are technically approved - in accordance with VDE and SEV regulations - and can include accessories for Electromagnetic Compatibility, as tested in our laboratory.

Type	Supply Voltage V(50 Hz)	Primary Current A(50 Hz)	Power VA	Secondary Voltage kV	Secondary Current mA	Secondary Peak Voltage kV	Duty ED% min.	Weight Kg.
TRS510C	220-230	0.35	80	2x2.5	10	7	DB Continuo	1.9
TRS513C	220-230	0.33	73	2x2.5	13	7	DB Continuo	1.9
TRS812C	220-230	0.6	132	2x4	12	11	DB Continuo	1.9
TRS812C	380/400	0.33	125	2x4	12	11	DB Continuo	1.9
TRS818C	220-230	1	220	2x4	18	11	DB Continuo	1.9
TRS820	220-230	1	220	2x4	20	11	AB 25% 4min	1.9
TRS830P	220-230	1.1	352	1x8	30	14	AB 25% 4min	1.9
TRS1020	220-230	1.1	242	2x5	20	14	AB 33% 3min	1.9
TRS1030	220-230	2	460	2x5	30	14	AB 25% 4min	1.9
TRS1220	220-230	1.4	308	2x6	20	17	AB 25% 4min	1.9

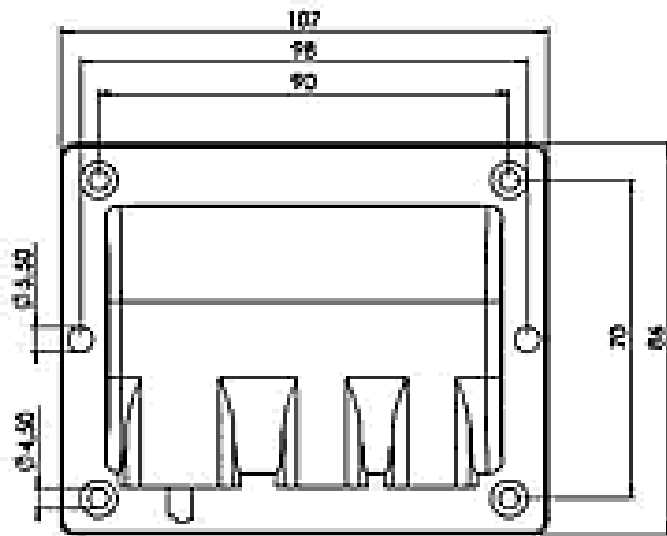


L= Turn on a neon-lamp of 11-15 W (primary)

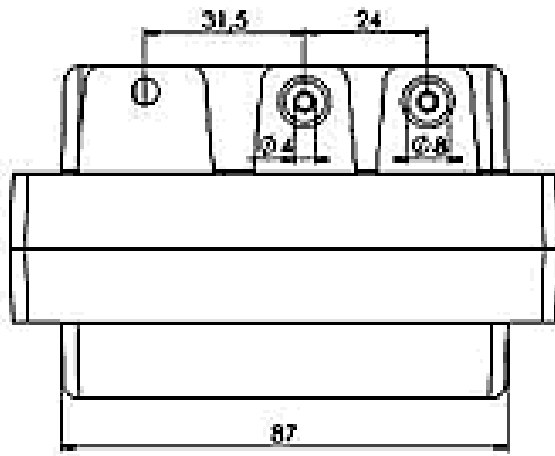
Standard Value Table. On customer's specifications, we can provide for special primary voltages, either 50Hz or 60 Hz.

Primary Connections	
<p>STANDARD BURIED CABLE</p> <p>The standard version is supplied with a voltage supply cable buried in ANTI-TEAR SILICONE 3x0.50 WITH STANDARD LENGTH OF 380 mm (see DRAWING) with claw terminals, Class II, up to 180°C.</p>	
<p>PLUG A</p> <p>STRAIGHT plug with PVC cable 3x0.50 STANDARD LENGTH OF 380 mm Terminals at customers' option</p>	
<p>PLUG B</p> <p>90° UPWARD plug with PVC cable 3x0.50 STANDARD LENGTH OF 380 mm Terminals at customers' option</p>	
<p>PLUG C</p> <p>90° DOWNWARD plug with PVC cable 3x0.50 STANDARD LENGTH OF 380 mm Terminals at customers' option</p>	

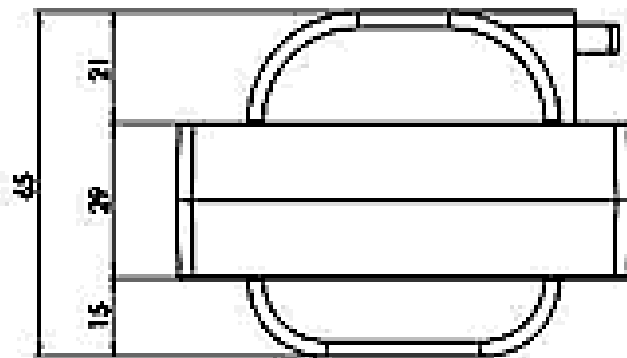
Views  
Plan View



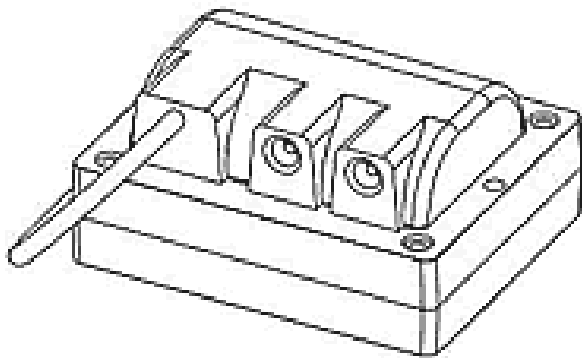
front view



side view



projection view

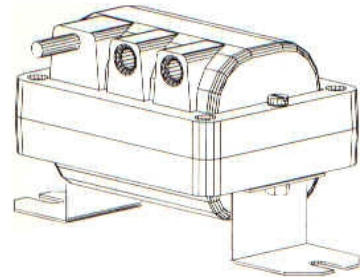
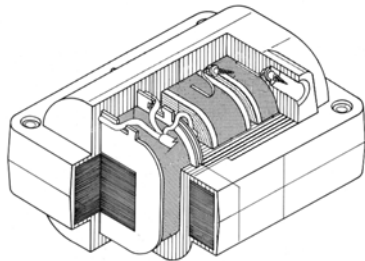


---

# TRANSFORMADORES

## COFI

High voltage transformers



### TRANSFORMADORES DE IGNIÇÃO COFI TIPO G - 1020

Os transformadores *COFI produzidos na Itália* satisfazem a demanda atual no que diz respeito ao peso e tamanho reduzidos, mantendo a sua grande eficácia e confiabilidade .

Eles transformam a voltagem primária de 220V 60Hz (também em 110V 60Hz ) em corrente secundária de 10.000 Volts ( 2 X 5 kV ) . São fabricados para aplicações de USO CONTÍNUO (100% E.D.) , vem dotados de um cabo primário tripolar de 380 mm de comprimento e duas entradas para alta tensão com fixação dos cabos através de parafusos auto-atarrachantes.

Os transformadores *COFI* são do tipo CENTRO A MASSA (centro aterrado) , gerando uma faísca elétrica forte e estável , usada para obter-se a ignição segura nos queimadores de óleo automáticos . São dotados de uma blindagem interna supressora de interferências eletromagnéticas .

#### Dados Elétricos:

Voltagem Primária : 220V 60 Hz

Corrente Primária : 1, 4 A

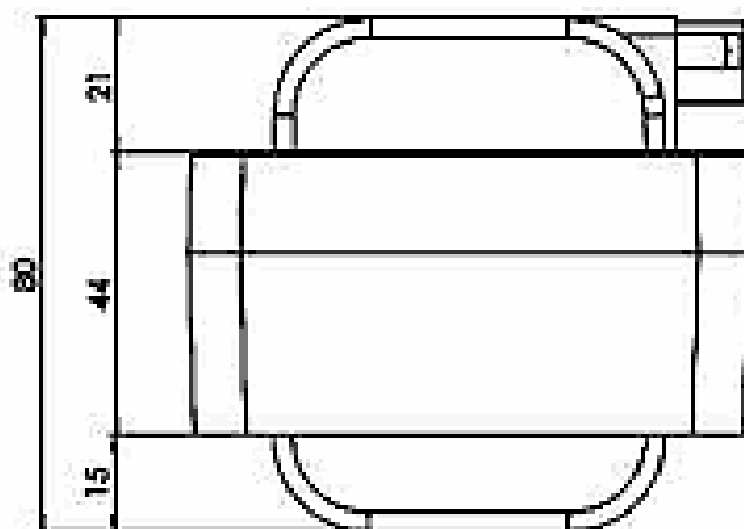
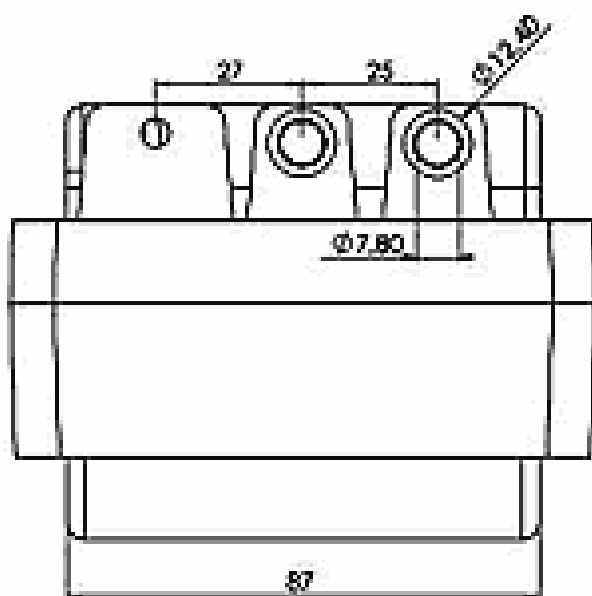
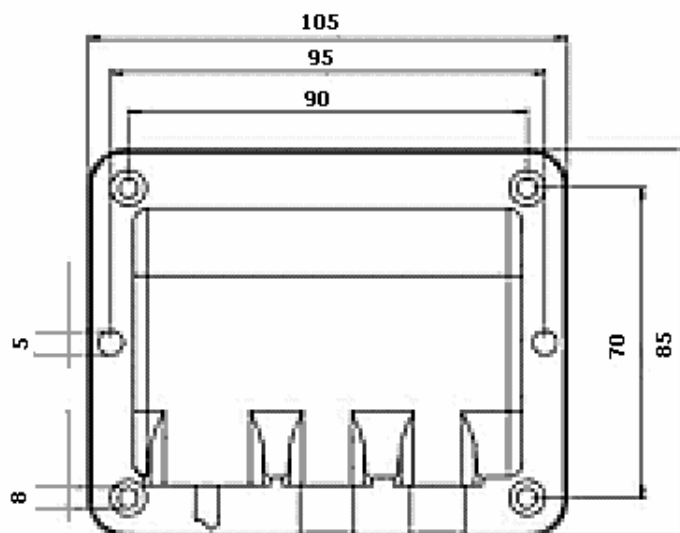
Voltagem Secundária : 2 X 5 kV ou 10.000 Volts

Corrente Secundária : 15 mA

Potencia 230VA

---

Desenhos:



## IGNITION TRANSFORMERS TRG

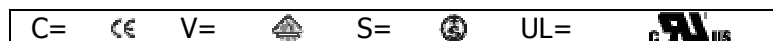
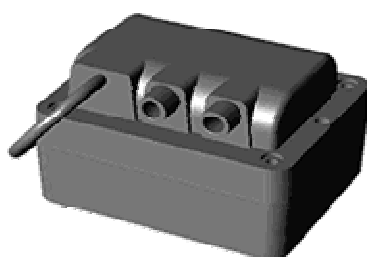
### TRG1020PC

#### Transformer - series G grounded center

The outputs can be constructed according to the application.

The best insulation is ensured in extremely difficult and special conditions. This is produced, like the whole range, with input voltages between 100 and 400V, in accordance with international standards and with customers' requirements.

The main intermittent and continuous models are technically approved - in accordance with VDE and SEV regulations - and can include accessories for Electromagnetic Compatibility, as tested in our laboratory.



#### Technical Information

Type		<b>TRG1020PC</b>
Supply Voltage V (50 Hz)		220-230
Primary Current A (50 Hz)		1,1
Power VA		242
Secondary Voltage kV		1x10
Secondary Current mA		20
Secondary Peak Voltage kV		14
Duty ED% min.		DB 100%

# Views

